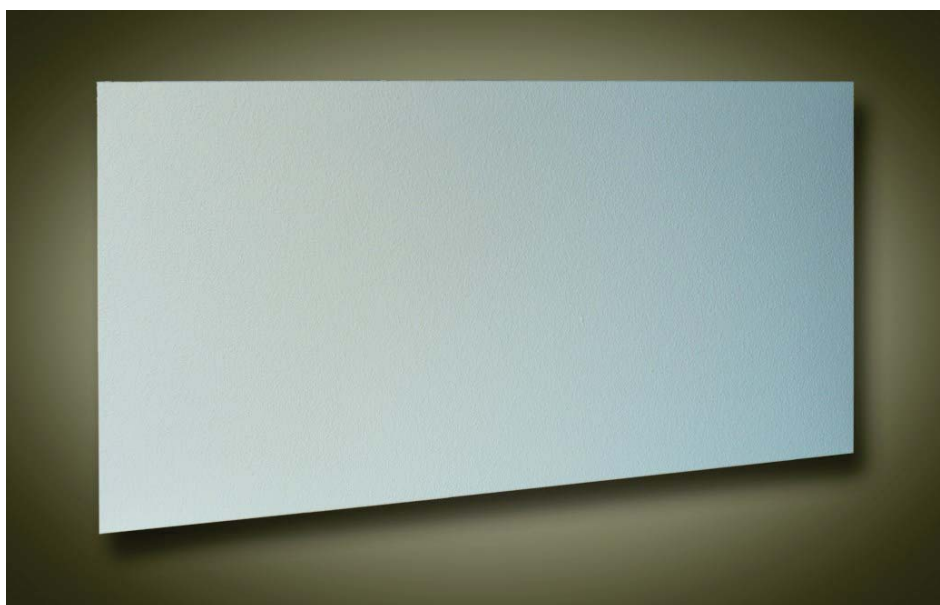


INSTALLATION AND USER'S GUIDE

Radiant panels Ecosun Basic

300, 600, 850W



FENIX

Important Warnings

- **WARNING: In order to avoid overheating, do not cover the heater.**
- Installation, electrical connection and the first commissioning is permitted to be performed by a worker with relevant qualifications.
- The temperature of environment (surrounding air) where the radiant panel is situated must not exceed 40°C!
- The power supply must be fitted with a network disconnecting device with the minimum distance of disconnected contacts 3.5 mm on all poles. Always use a residual current device with the release current $I_{\Delta n}=30\text{mA}$.
- Damaged lead-in cable of the appliance shall only be replaced by manufacturer or service technician.
- The product type number means the input of the product (ECOSUN 600 Basic = 600W).
- We recommend to use gloves when manipulating with the panel to prevent any pollution of the radiant front surface of the panel.
- Clean the panel with water and detergent, using a fine brush.
- The panel should not be arranged right under a fixed connection socket.
- Be careful to choose the right type of anchoring element (wall plug), particularly when dealing with plasterboard/gypsum fibreboard and porous concrete structures. If necessary, consult a specialised firm or manufacturer about anchoring - for example <http://www.fischer.co.uk/Home.aspx>
- **It is forbidden to use wall anchors with a self-tapping thread to attach panels to plasterboard/gypsum fibreboard ceilings, see Fig. 2. Examples of suitable types of wall anchors can be seen in Fig. 3.**
- This heater isn't fitted with a room temperature control device. Do not use this heater in small rooms if they are occupied by people who cannot be left in the room by themselves unless permanent supervision is provided.
- This appliance can be used by children from the age of 8 and older, and persons with lower physical, sensory or mental abilities or a lack of experience or knowledge providing they are under supervision or have been trained in the use of the appliance in a safe manner and understand the possible danger. Children may not play with the appliance. Cleaning and maintenance by the user must not be carried out by children without supervision.
- Children under 3 years of age should be prevented from accessing the appliance, unless they are constantly supervised. Children from 3 to 8 years of age may switch the appliance on/off only if it is placed or installed in its intended standard operating position and if they are under supervision or have been instructed in the safe use of the appliance and if they understand the possible danger. Children from 3 to 8 years of age mustn't insert the plug into the socket, control or clean the appliance or carry out maintenance that is to be done by the user.

WARNING: Some parts of this product may become very hot and cause burns. Special attention must be paid to this fact in the presence of children and handicapped persons.

WARNING : According to Commission Regulation (EU) 2015/1188 - Ecodesign requirements for local space heaters, this product is defined as space heater which must be regulated by a suitable external control device. The control device which is not part of the heating product must ensure compliance with the aforementioned regulation.

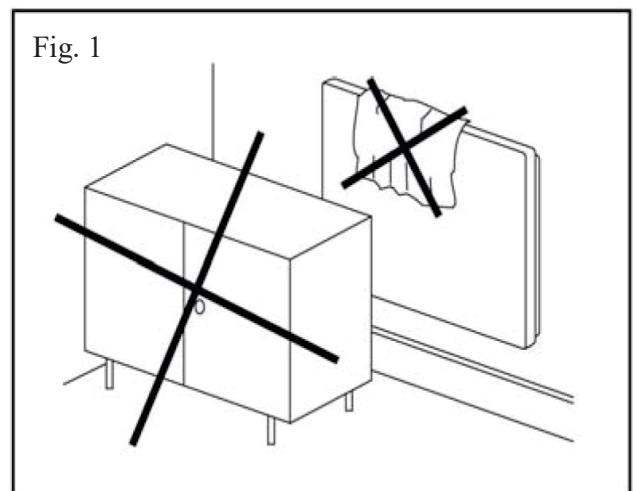




Fig.2

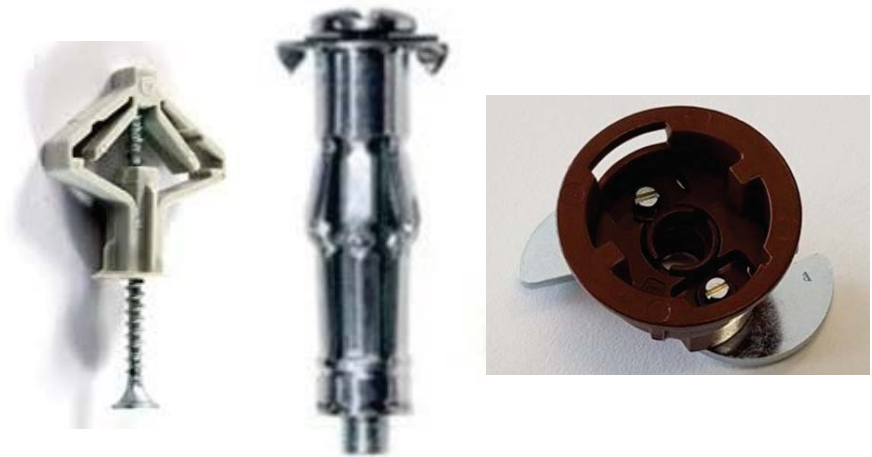


Fig.3

1. Use

- Flats, offices, schools, hospitals, shops, industry and agricultural premises, etc.
- The panels can be installed on flammable materials.

2. Wiring

- Power supply: 230V/50Hz
- Protection class I
- IP 44
- The panel is fitted with a thermal fuse.

According to Commission Regulation (EU) 2015/1188 - Ecodesign requirements for local space heaters, this product is defined as space heater which must be regulated by a suitable external control device. The control device which is not part of the heating product must be equipped with electronic room temperature control plus week timer and at least one of the following control options:

- Room temperature control with open window detection
- Distance control
- Adaptive start control

3. Installing

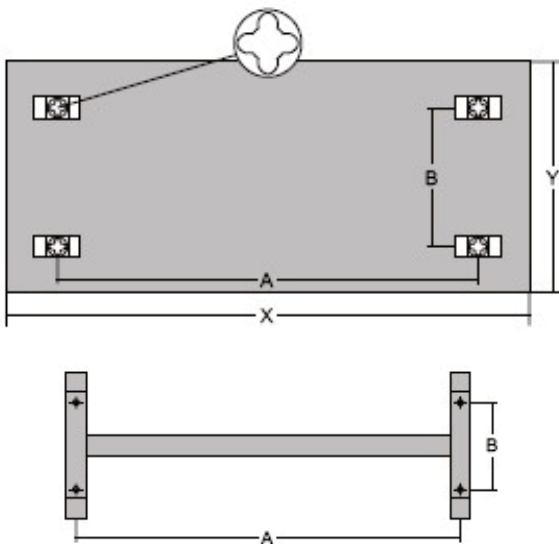
- The panels are intended for vertical installation. In case of horizontal installation on the ceiling of a room, hang the panel on a mounting frame, or using chains or cords.
- The minimum distance of the panel front wall and lateral walls from inflammable objects is 10 cm.
- In order to comply with the IP protection, it is necessary that the connection of the supply cord of the panel meets the minimum coverage of the product indicated on the label.

Procedure – vertical mounting:

- Mark the holes according to the table, drill out the holes, insert the dowels and drive the screw in to protrude approx. 5 mm.
- Always fix the panel on two upper locks, two lower locks serve to a reverse suspension of the panel.
- Connect the lead-in cable to a fixed power distribution in accordance with the colour marking of wires.
- Put the panel on the two upper locks.

Procedure - horizontal mounting

- Position the mounting frame in the location where the panel is to be placed, using a pen, mark holes according to the holes on the frame.
- Drill the holes, insert the wall anchors and attach the mounting frame with the screws.
- Connect the lead-in cable to the mains in accordance with the colour of the conductors.
- Slide the panel into the mounting frame.



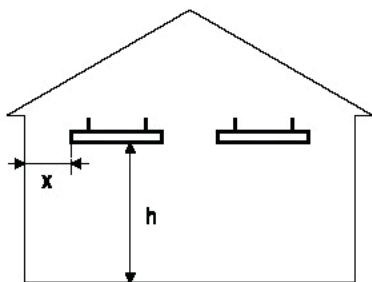
Ecosun	X (mm)	Y (mm)	A (mm)	B (mm)	Thickness
300 Basic	592	592	340	355	30
600 Basic	1192	592	940	355	
850 Basic	1192	800	940	355	

Fixing Frame

Ecosun	A (mm)	B (mm)
300 Basic	340	280
600 Basic	935	280
850 Basic		

MINIMUM DISTANCES*

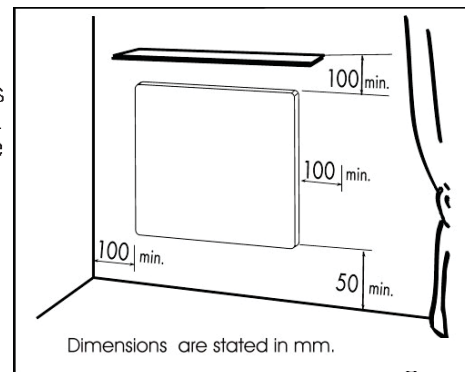
300W	$h = 2,5\text{m}$	$x = 0,6\text{m}$
600W	$h = 2,5\text{m}$	$x = 0,6\text{m}$
850W	$h \geq 3\text{m}$	$x \geq 1,2\text{m}$



* The installation height and distance between panels stated here is recommended; other distances must be discussed with

Clearance distances

The distance between the bottom edge of the appliance and the floor mustn't be less than 50 mm; 150 mm is recommended. The clearance distance on the side (e.g. from furniture) must be at least 100 mm, and 100 mm is the minimum in the upward direction (see Fig.).



4. Warranty

This product is covered with a 24-month warranty since the date of purchase which applies to defects of material and processing. The complete wording of the Warranty Guidelines is available at the supplier's office or at the websites www.fenixgroup.eu. The warranty does not apply to defects caused by unprofessional intervention, negligence, incorrect use, transport and/or inconvenient storage of the panel. The manufacturer is not responsible for any indirect damage caused by the use of this panel.

Product type:

Date:

Stamp, signature:

Serial number (label on the panel rear side): _ _ _ _ _



FENIX

Fenix s.r.o.

Jaroslava Ježka 1338/18a, 790 01 Jeseník
tel.: +420 584 495 442, fax: +420 584 495 431
e-mail: fenix@fenixgroup.cz , <http://www.fenixgroup.cz>

Fenix Trading s.r.o.

Slezská 2, 790 01 Jeseník
tel.: +420 584 495 304, fax: +420 584 495 303
e-mail: fenix@fenixgroup.cz , <http://www.fenixgroup.cz>